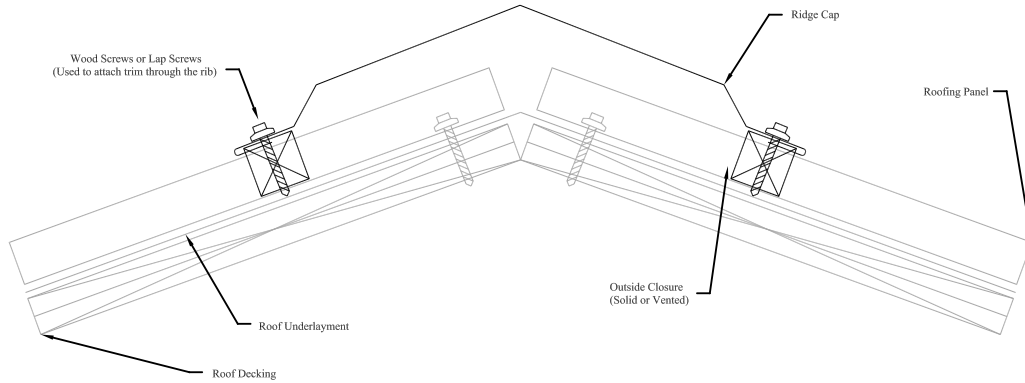
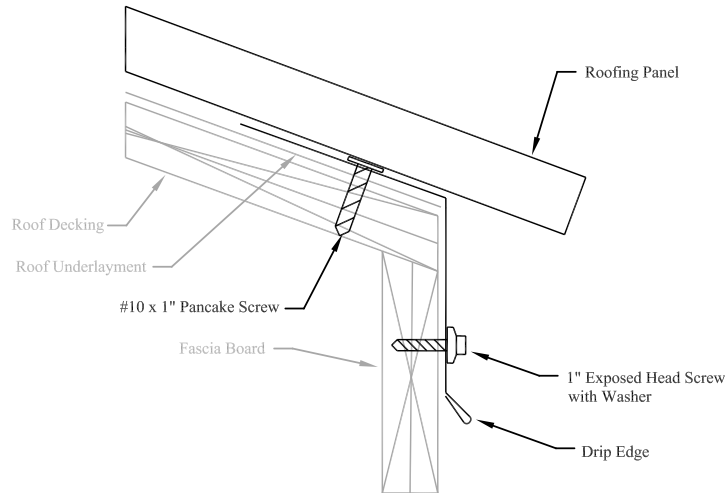


RIDGE CAP ILLUSTRATION



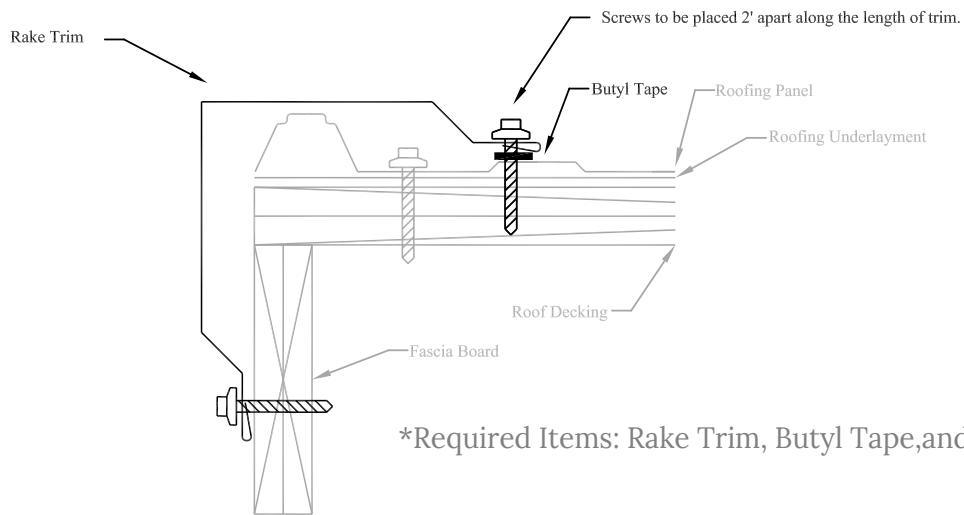
*Required Items: Ridge Cap, Outer Closure, Screws.

DRIP EDGE INSTALLATION ILLUSTRATION

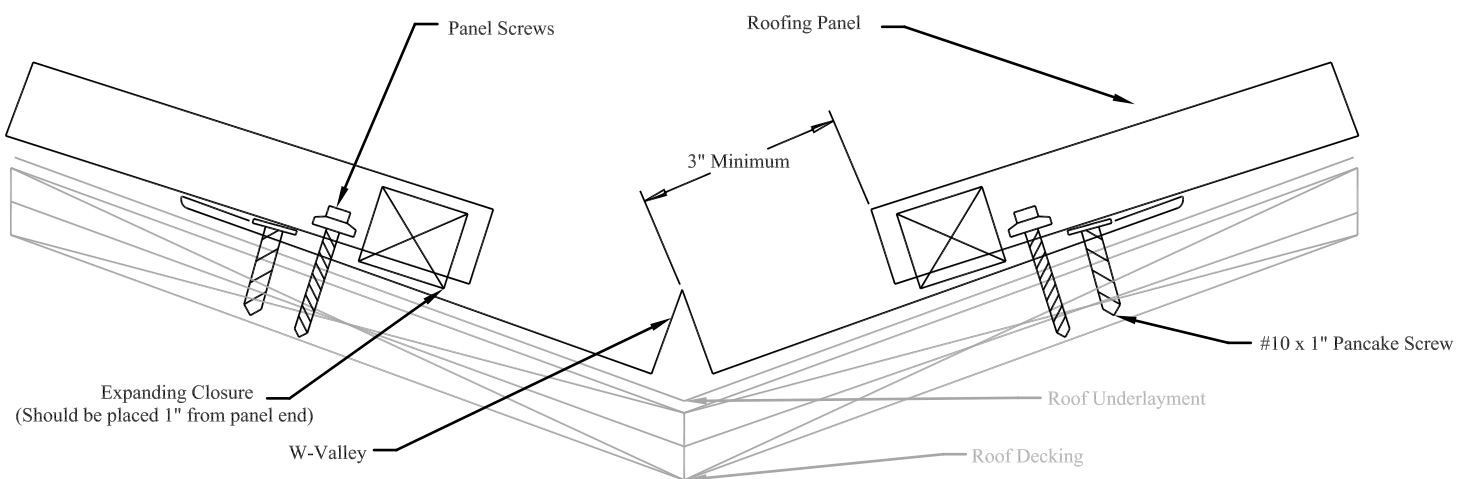


*Required Items: Drip Edge, Pancake Screws and Exposed Head Screws.

RAKE TRIM ILLUSTRATION

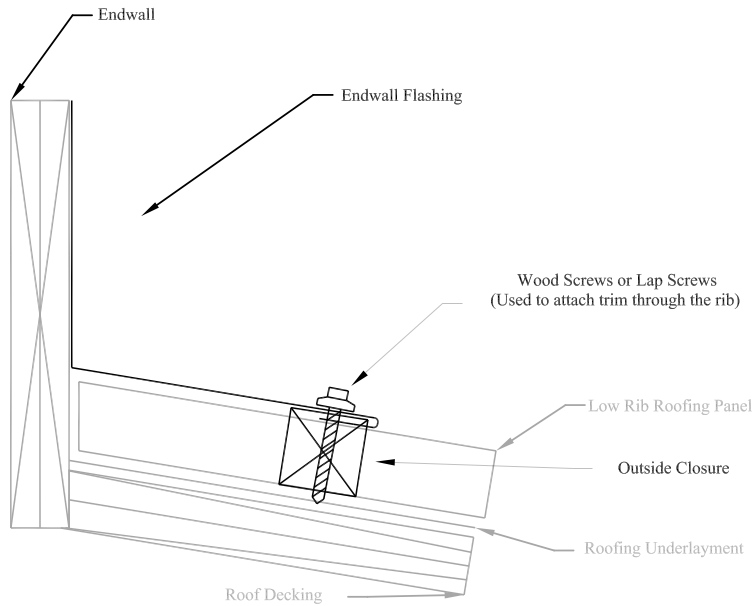


VALLEY INSTALLATION ILLUSTRATION



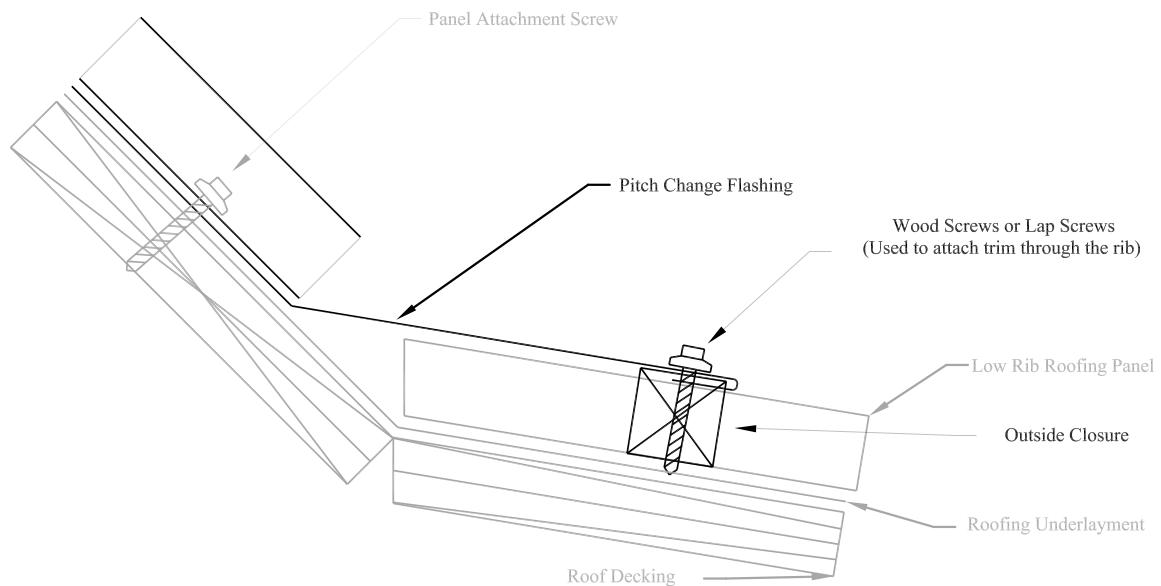
*Required Items: Valley, Expanding Closure, Panel Screws and Pancake Screws

ENDWALL INSTALLATION ILLUSTRATION



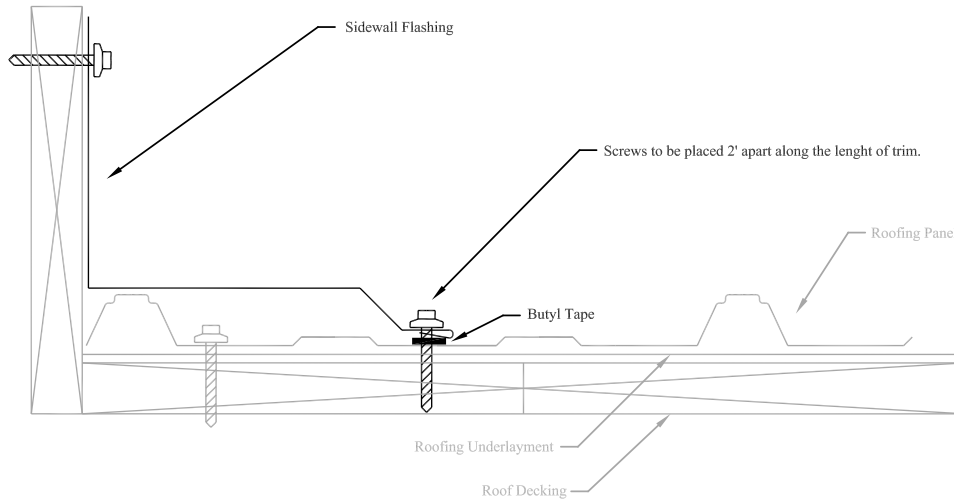
*Required Items: Endwall Trim, Screws and Outside Closure.

PITCH CHANGE INSTALLATION ILLUSTRATION



*Required Items: Pitch Change Flashing, Screws and Outside Closure.

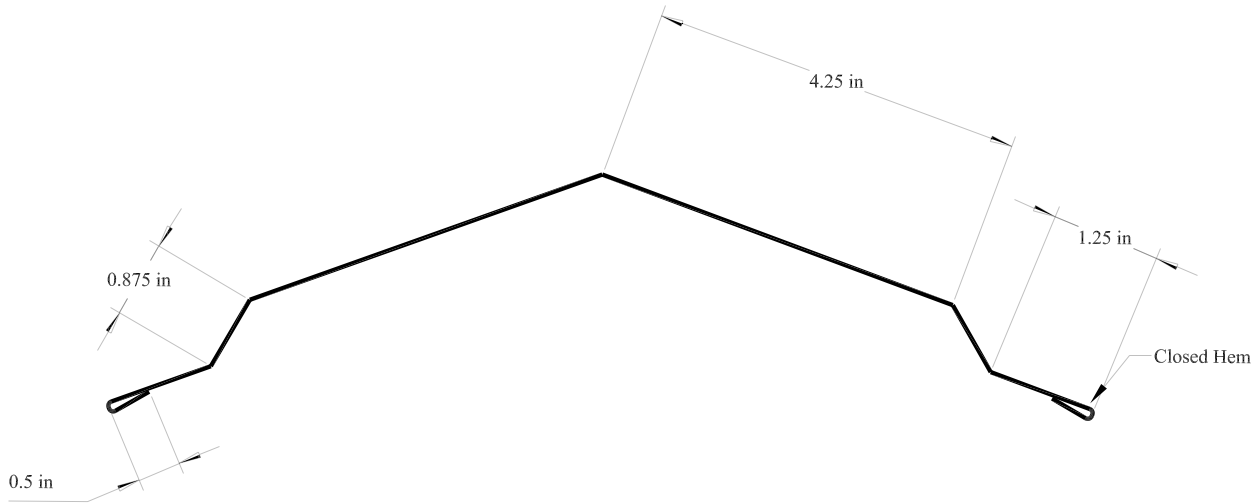
SIDEWALL INSTALLATION ILLUSTRATION



*Required Items: Sidewall Trim, Butyl Tape, and Screws

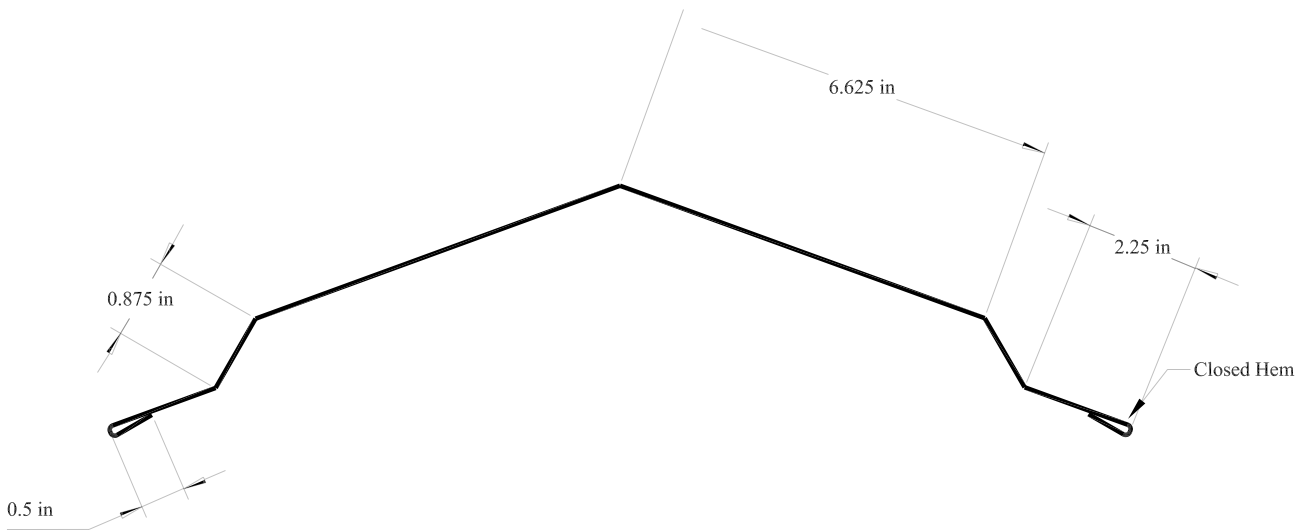
RIDGE CAP

*Not to scale



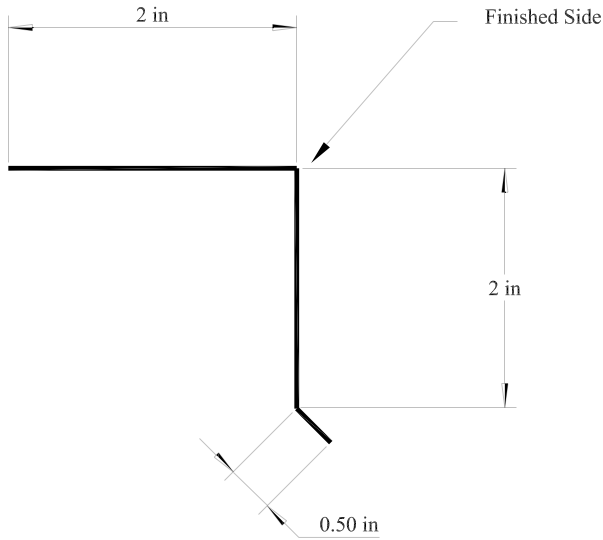
9" x 9" RIDGE CAP

*Not to scale



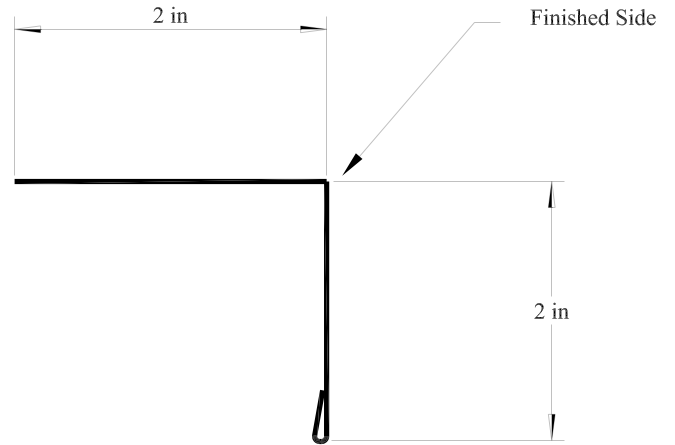
DRIP TRIM (2 X 2 WITH KICK NO HEM)

*Not to scale



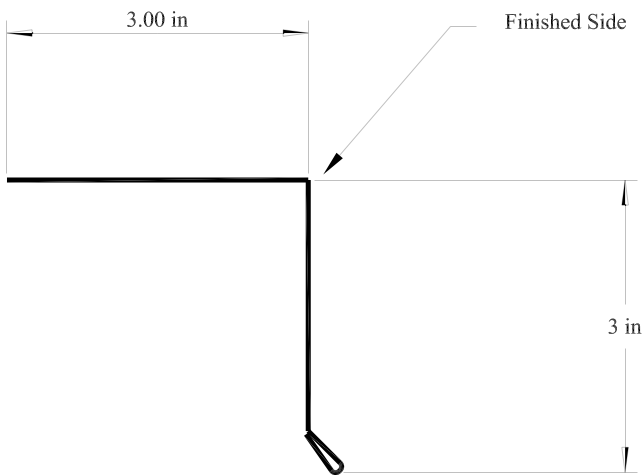
2 X 2 EAVE (DRIP) TRIM

*Not to scale



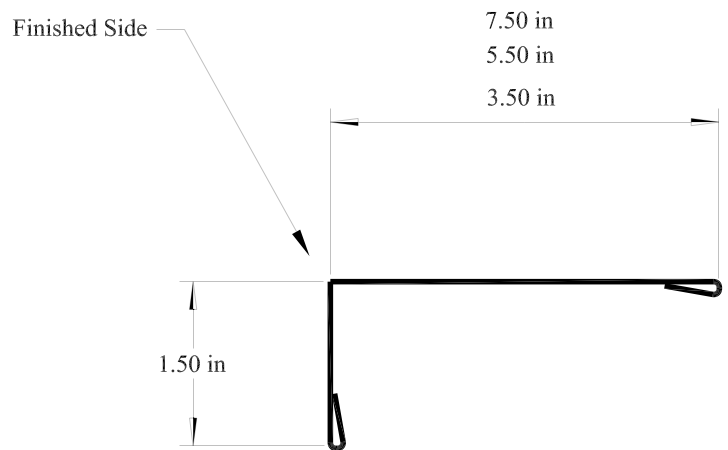
3 X 3 EAVE (DRIP) TRIM WITH KICKOUT

*Not to scale



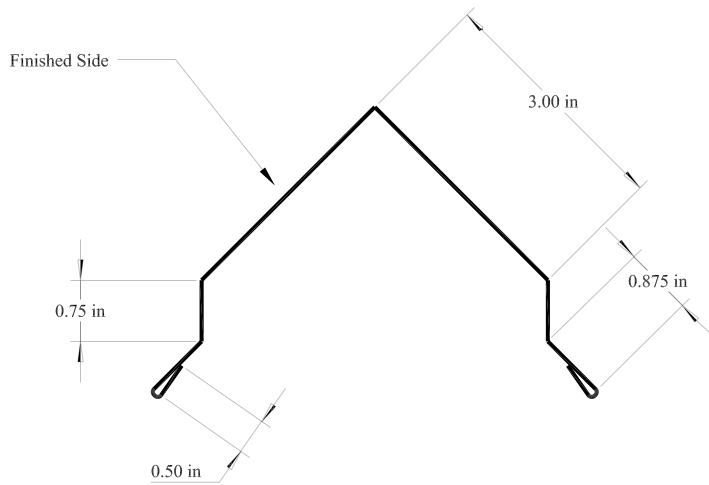
POST TRIM (DRIP EDGE)

*Not to scale



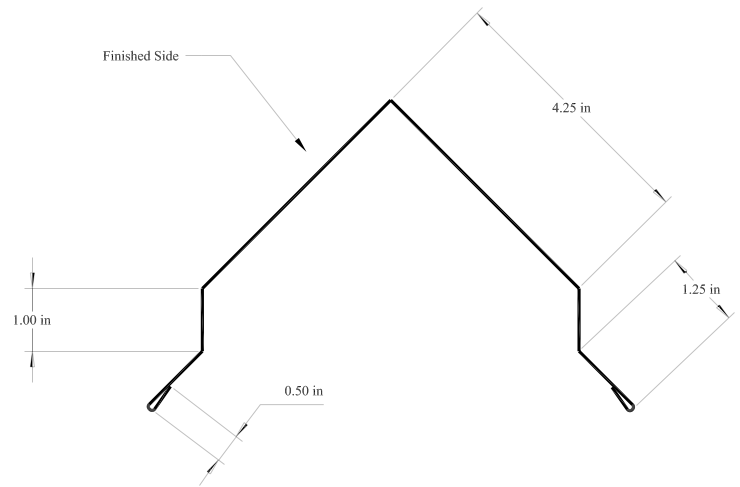
SMALL CORNER

*Not to scale



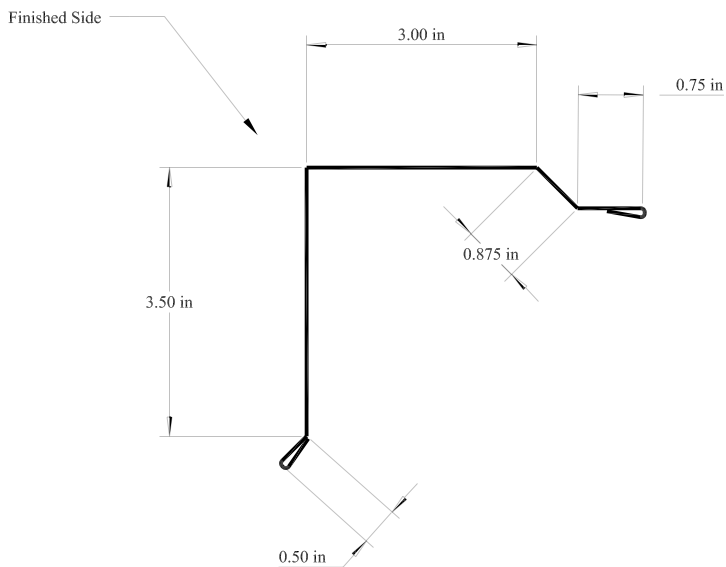
LARGE CORNER

*Not to scale



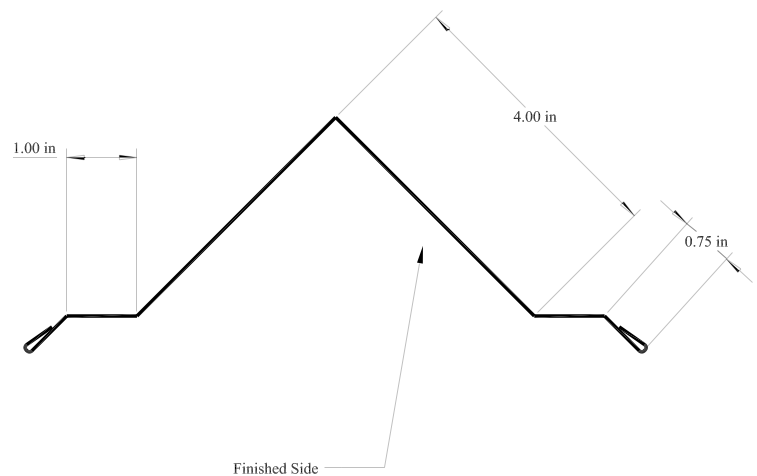
DENVER RAKE AND CORNER TRIM

*Not to scale



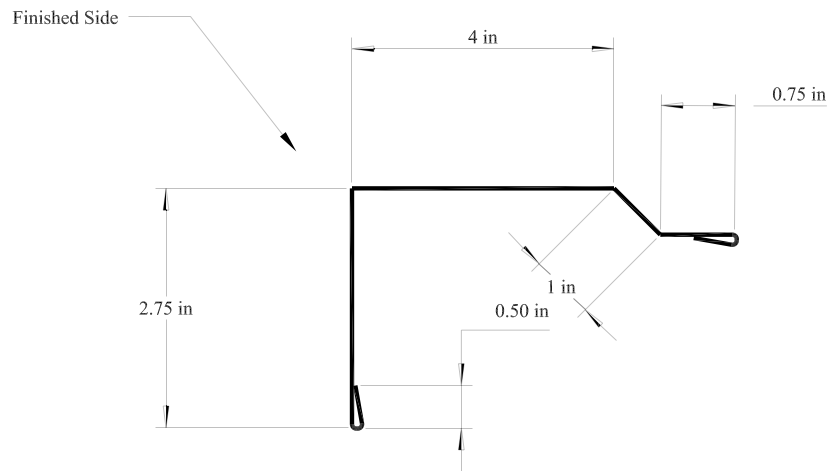
INSIDE CORNER

*Not to scale



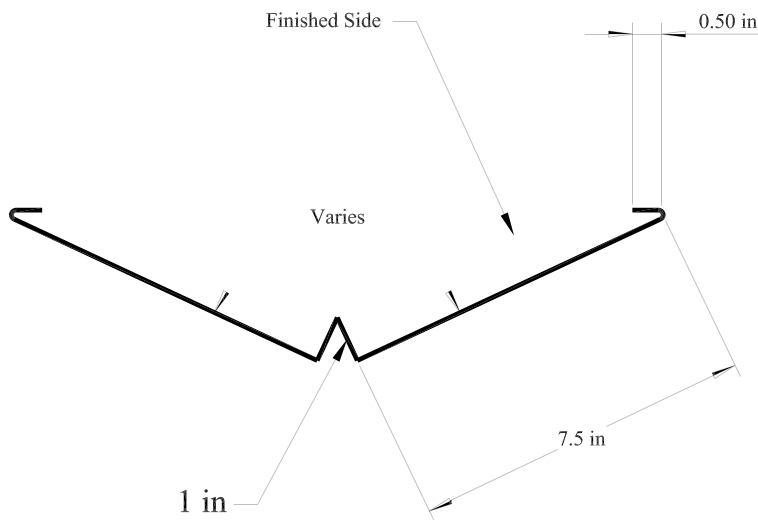
SPECIAL RAKE TRIM

*Not to scale



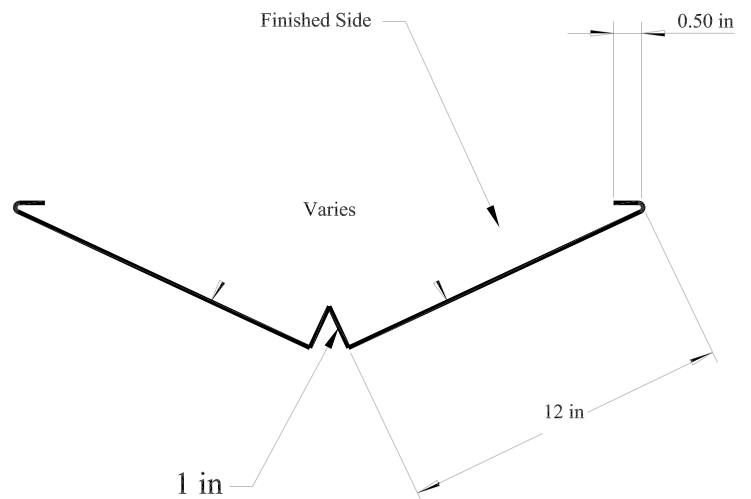
W-VALLEY

*Not to scale



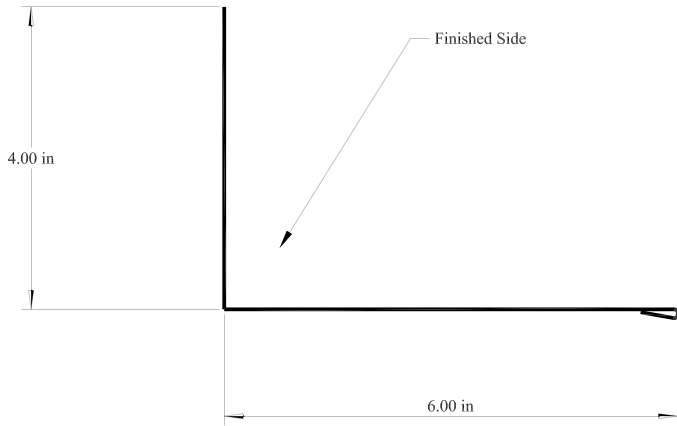
LARGE W - VALLEY (12" IN FLATS)

*Not to scale



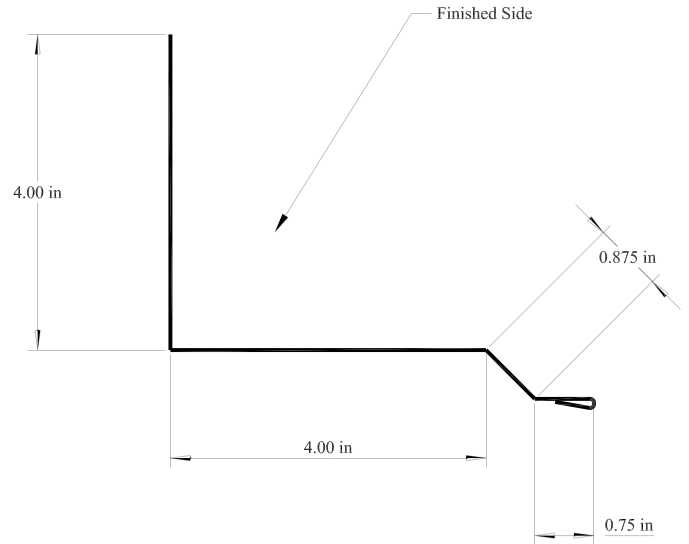
4 X 6 WALL FLASHING

*Not to scale



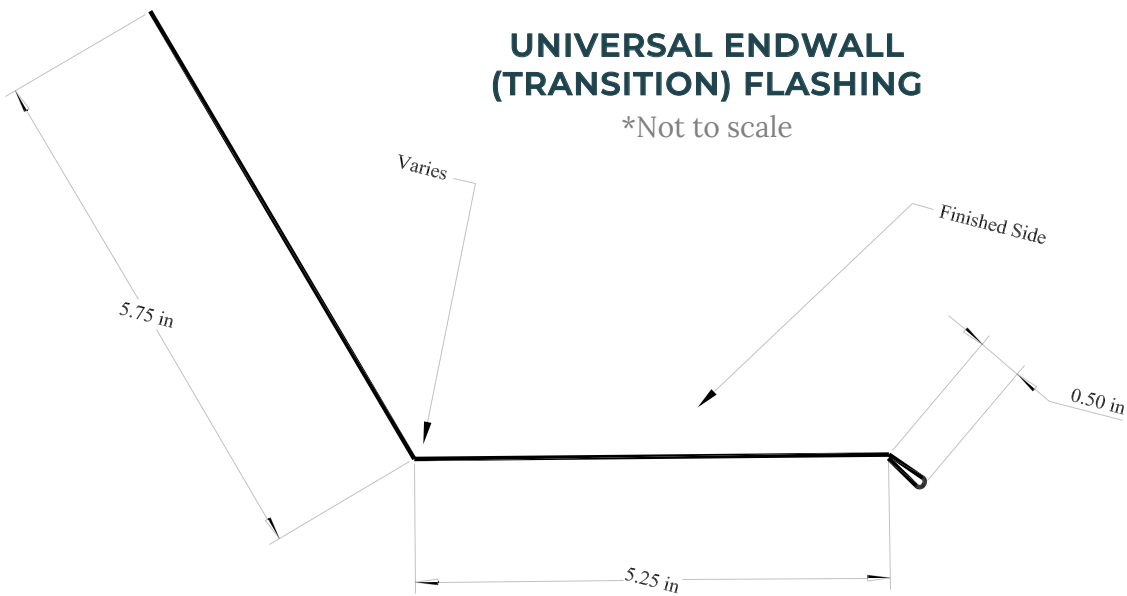
SIDEWALL FLASHING

*Not to scale



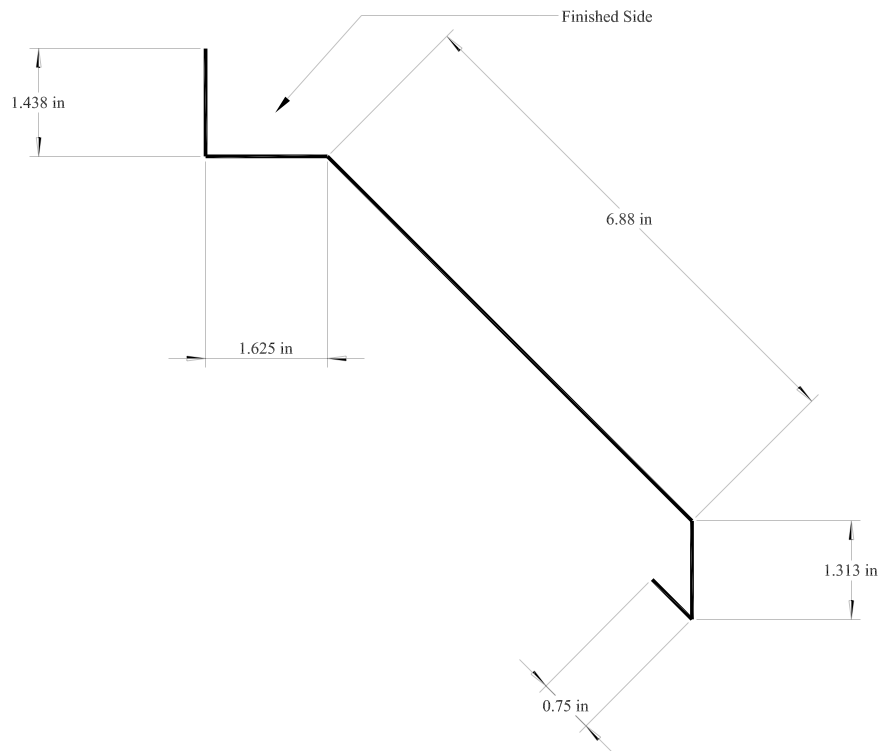
UNIVERSAL ENDWALL (TRANSITION) FLASHING

*Not to scale



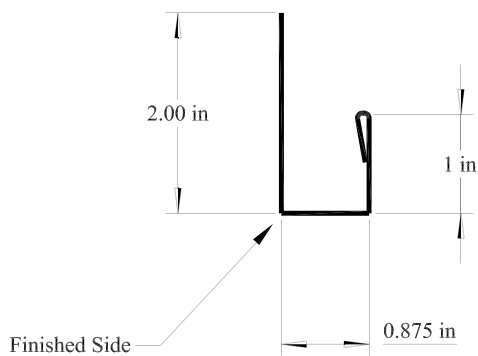
**CANNONBALL DOOR
TRACK COVER**

*Not to scale



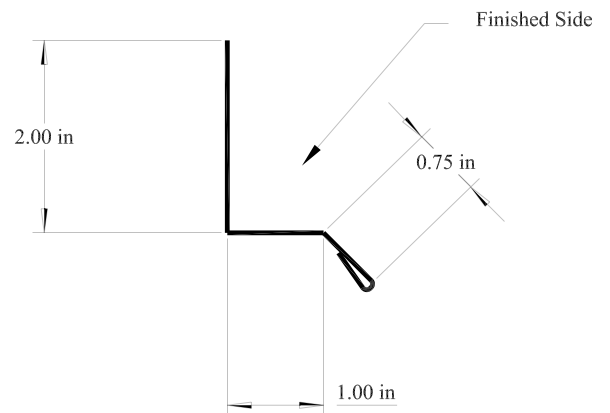
J-TRIM

*Not to scale



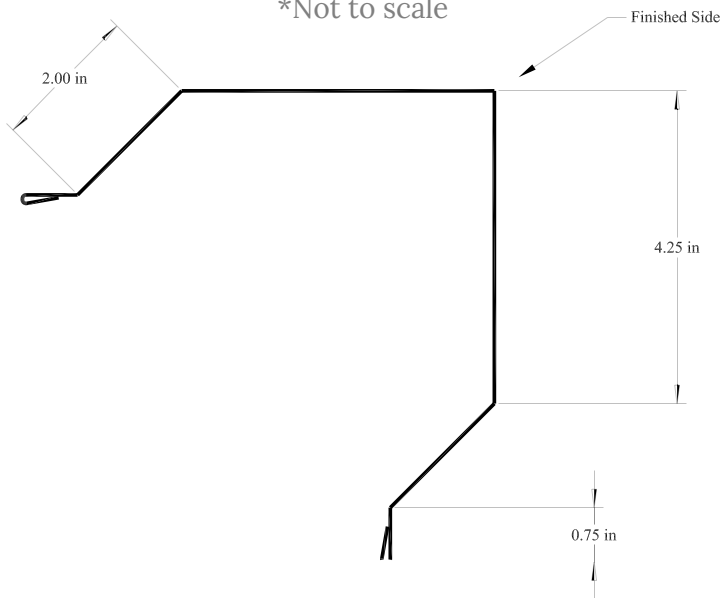
DRIP CAP

*Not to scale



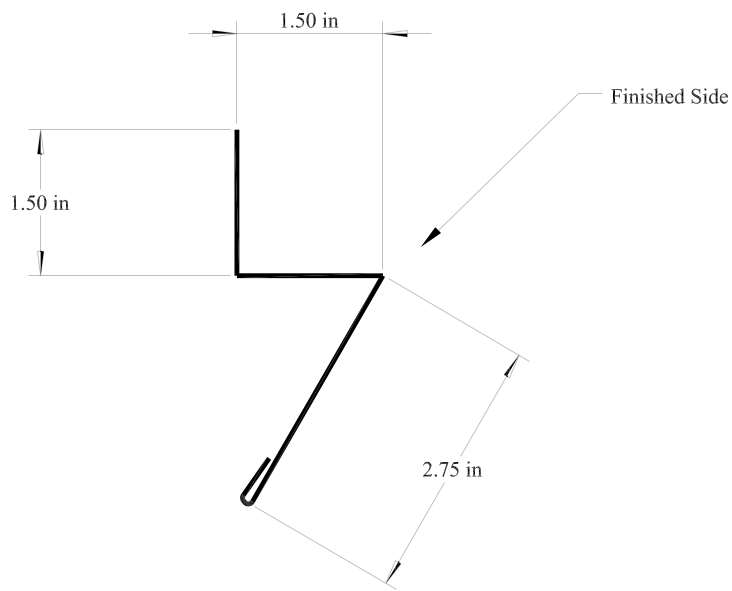
R-PANEL CORNER

*Not to scale



R-PANEL RAT GUARD

*Not to scale



R-PANEL J TRIM

*Not to scale

